

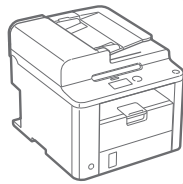
# Canon

## imageCLASS

D 5 6 0 / D 5 3 0

# Starter Guide

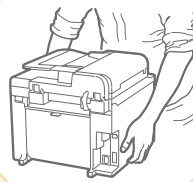
1



Preface

➔ P.2

2



Installing the Machine

➔ P.4

3



Connecting to a Computer  
and Installing the Drivers

➔ P.12

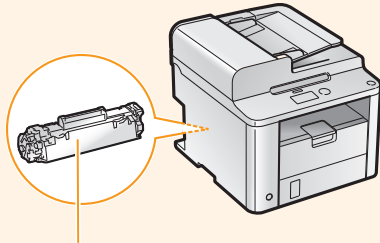
### Read this guide first.

Please read this guide before operating this product. The remarks for important safety instructions are described in the Basic Operation Guide. After you finish reading the Starter Guide, store it in a safe place for future reference.

# Checking the Supplied Accessories

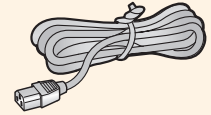
Confirm that all the supplied accessories are contained in the box. If an item is missing or damaged, please contact the Canon Authorized Service Facilities or the Canon Customer Care Center.

## Machine Unit

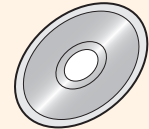


The toner cartridge is already installed.

## Power Cord



## User Software CD-ROM



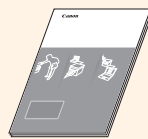
## Starter Guide



## Limited Warranty Notice



## Basic Operation Guide



## Registration Card



### About the USB Cable

The machine does not come with a USB cable. Have a USB cable ready as needed.

### Supplied Toner Cartridge

- The included "Canon Cartridge 128 Starter" can print an average yield of 1,000 sheets\*. The average yield of the replacement toner cartridge differs from the supplied toner cartridge.
- To purchase replacement toner cartridges:
  - ➔ "Replacement Toner Cartridges" in the e-Manual

\* The average yield is based on "ISO/IEC 19752" when printing A4 size paper with the default printing density.

### User Software CD-ROM

The User Software CD-ROM contains the MF Drivers, MF Toolbox, various software, and the e-Manual.\*

#### MF Drivers

The MF Driver contains the printer and scanner drivers.

#### MF Toolbox

The MF Toolbox provides a group of commands for you, such as to open a scanned image in an application, send it as an e-mail attachment file, and store it on the hard disk.

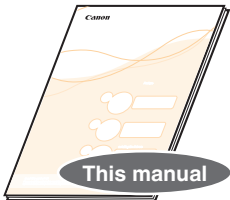
#### Miscellaneous Software

The User Software CD-ROM contains Presto! PageManager. Install it from the [Custom Installation] option.

\* See "Using the e-Manual" (P.18).

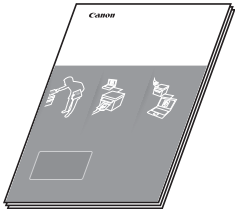
## Included Documents

### Printed Manuals



#### Starter Guide

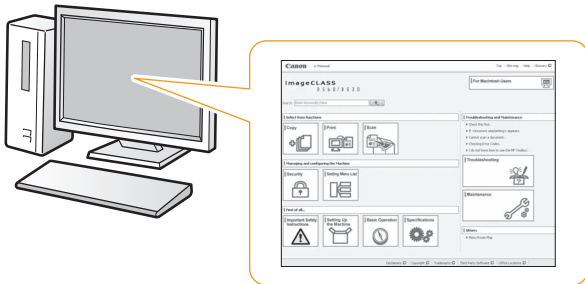
This manual describes the configuration and software installation.



#### Basic Operation Guide

This manual describes the basic use of the machine.

### Manuals Included in the CD-ROM

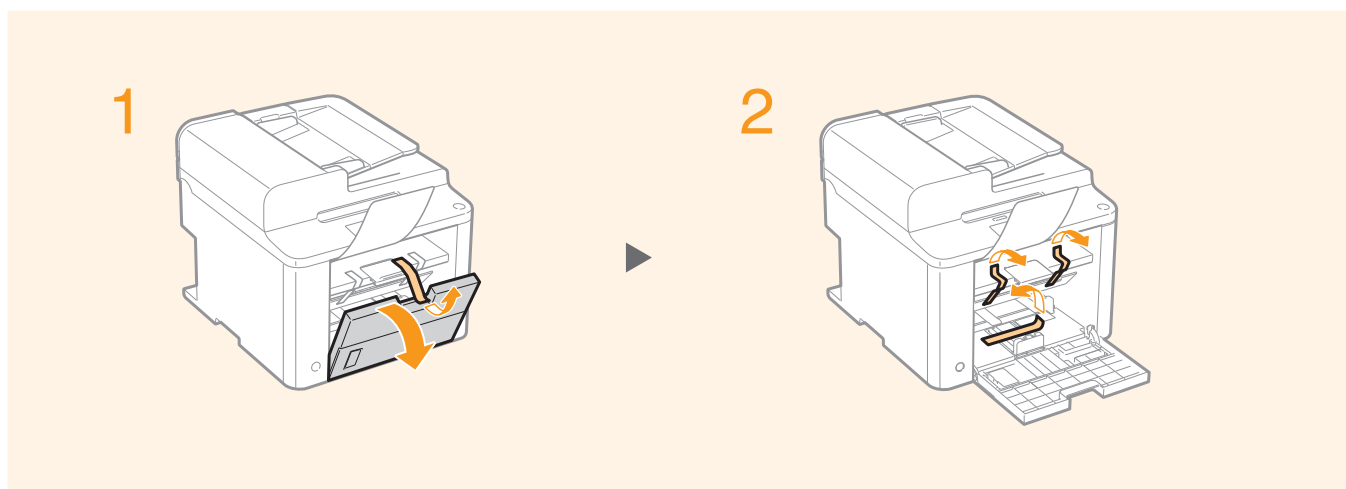


#### e-Manual

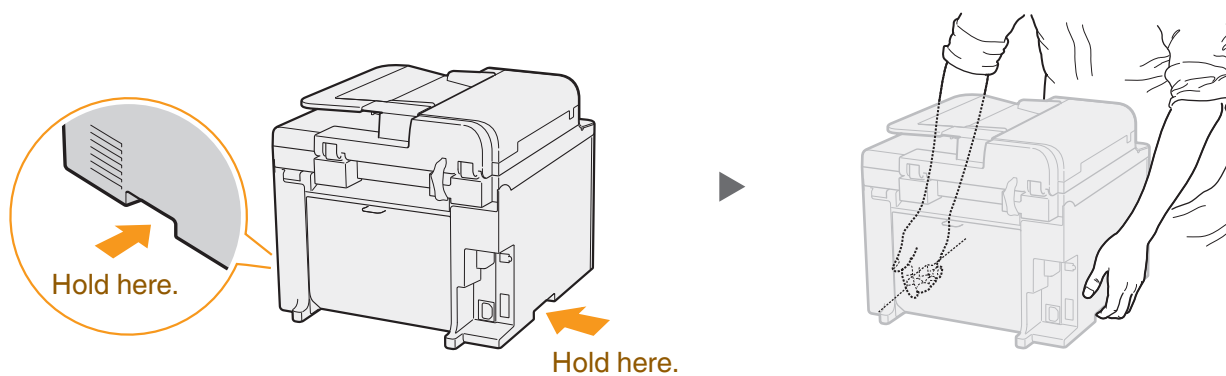
This manual explains all the features of the machine, and is categorized by subject. For details about using the e-Manual, see “Using the e-Manual” (P.18).

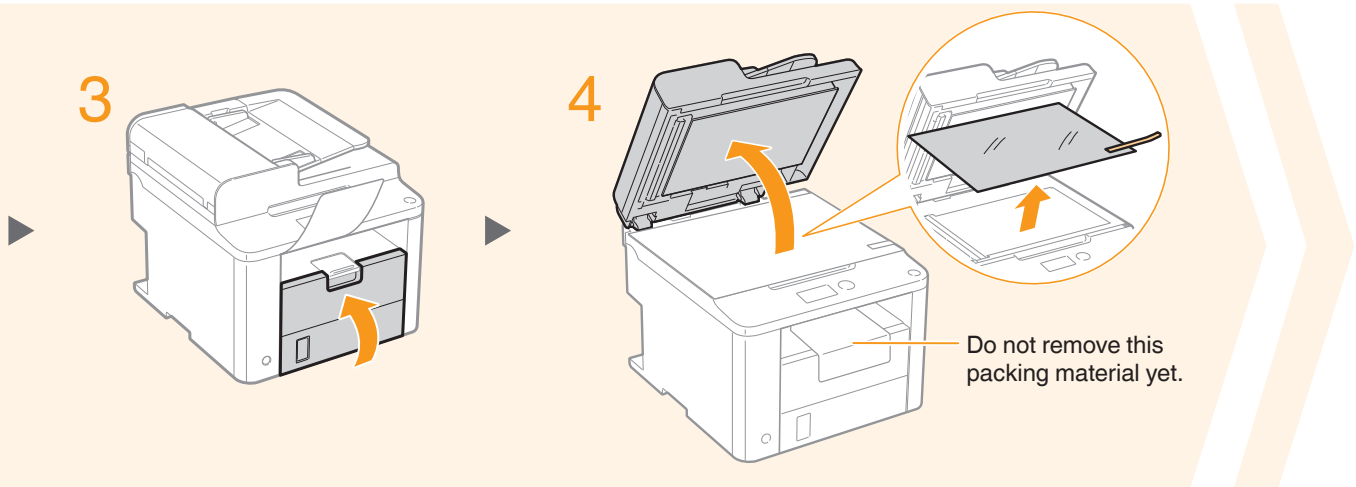
# Removing the Packing Materials

Remove all the packing materials, such as orange tape. Packing materials may change in form or placement, or may be added or removed without prior notice.



## Proper Handling

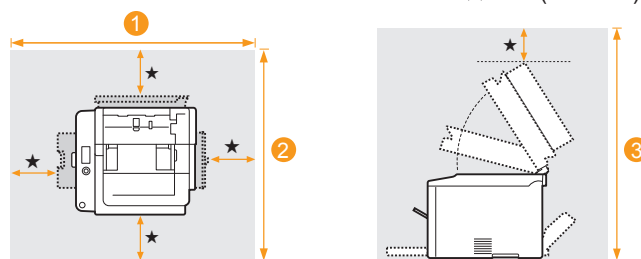




## Establishing an Installation Site

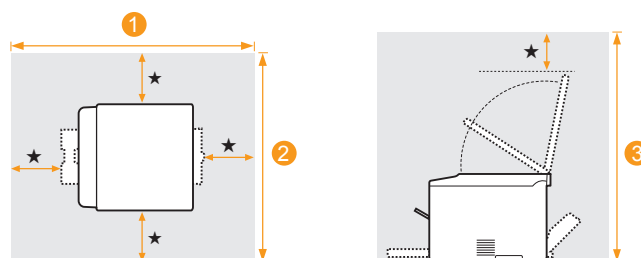
### D560

- 1 35 5/8" (904 mm)
- 2 24 5/8" (626 mm)
- 3 27 3/4" (706 mm)



### D530

- 1 35 5/8" (904 mm)
- 2 23 1/4" (590 mm)
- 3 27 3/4" (703 mm)



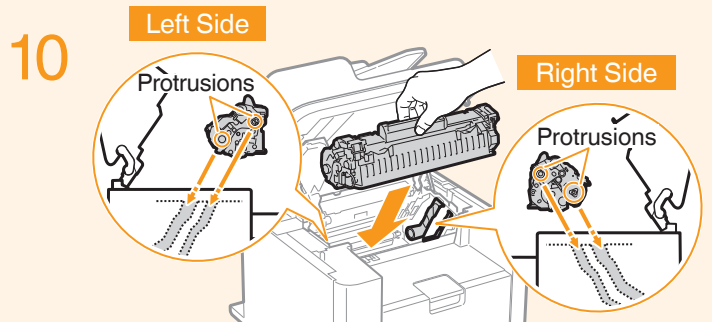
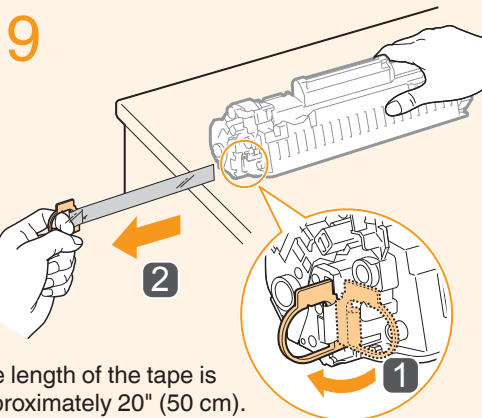
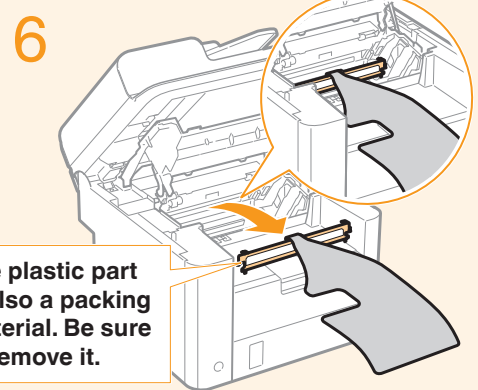
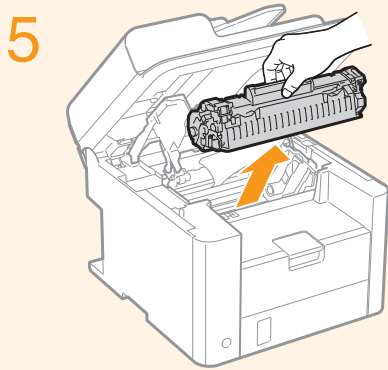
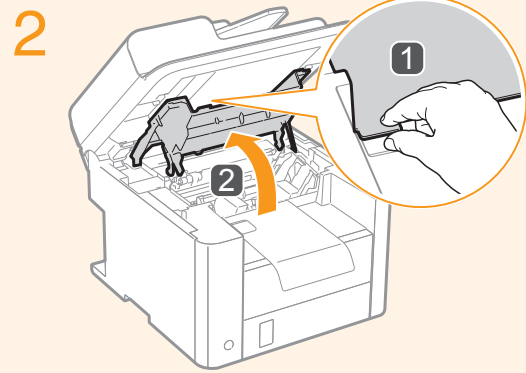
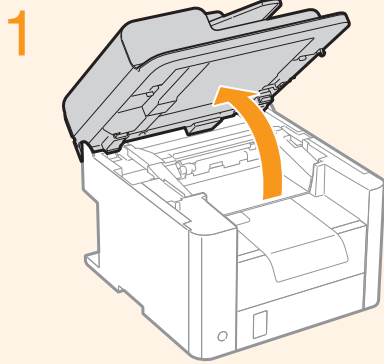
### Do not place the machine near the following:

- Alcohol, paint thinner, or other flammable substances ► If flammable substances come into contact with electrical parts inside the machine, this may result in a fire or electrical shock.
- Any medical equipment ► Radio wave emitted from this machine may interfere with medical equipment.
- Surfaces that are unstable, subject to excessive vibration, objects that could block the ventilation slot, dampness or dust, in direct sunlight or exposed to the elements, subject to high temperatures, open flames, and poor ventilation ► Installing the machine in locations with these characteristics may result in personal injury, fire, or electric shock.

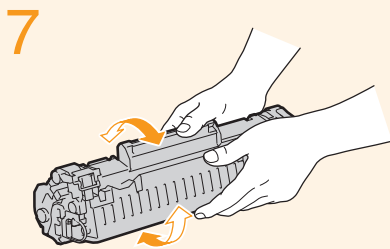
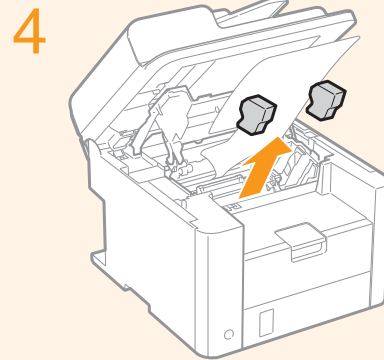
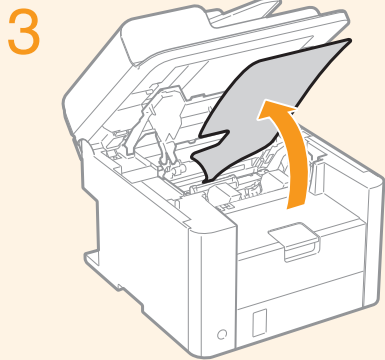
### Ozone from the Unit

Although ozone is generated from the machine during operation, it does not have any affect on the human body. However, if you intend to use the machine for long periods of time, ensure that the installation location is well ventilated for a comfortable working environment.

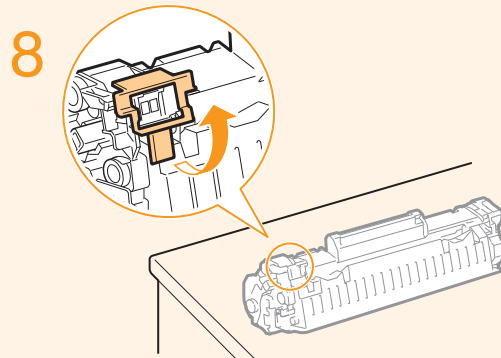
# Preparing the Toner Cartridge



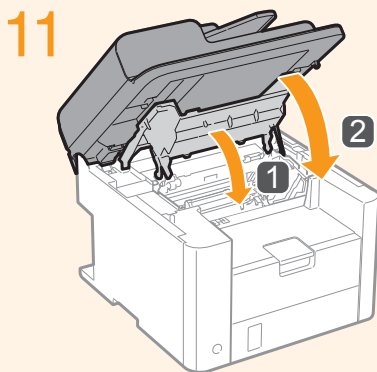
Fit the protrusions on each side of the toner cartridge, and then slide the toner cartridge into the machine.



Shake 5 to 6 times.



Place on a flat surface.

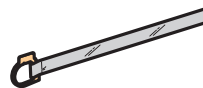


### Check!

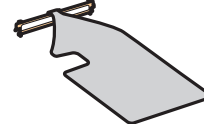
Are all the packing materials removed?



Packing materials

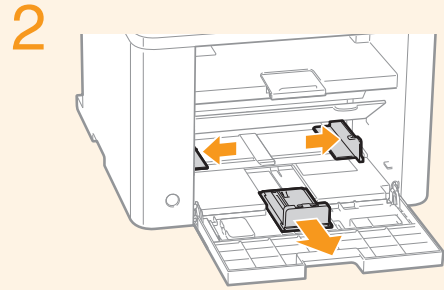
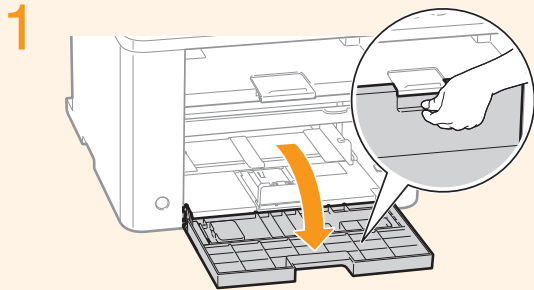


Sealing Tape

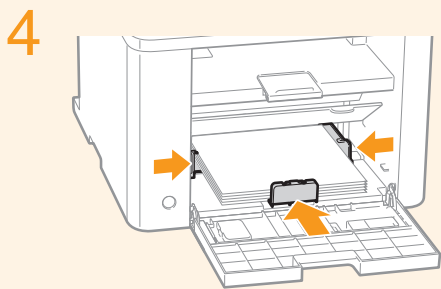


Packing material with a sheet

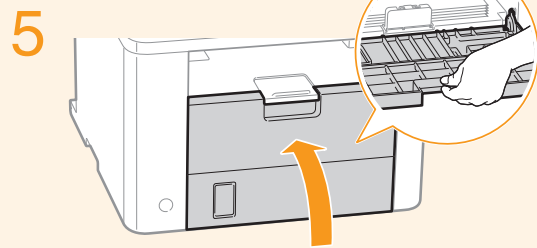
# Loading Paper



Spread the paper guides a little wider than the width and length of the paper.



Adjust the paper guides tightly to the width and length of the paper.

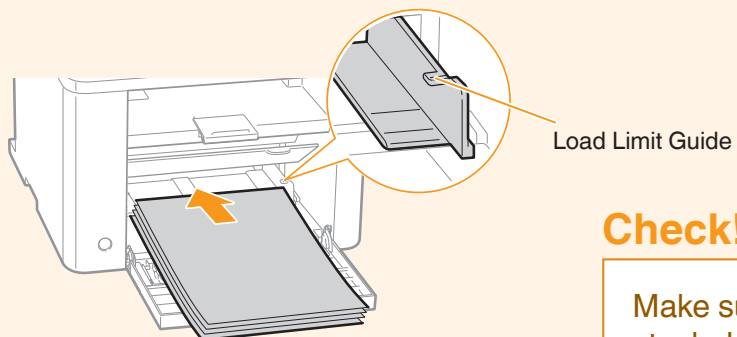


## Loading Paper Other than Letter Size

The procedure here is for loading Letter size paper. To load paper other than Letter size, such as Legal or Statement, see "Loading Paper Other than Letter Size" (P.16) after finishing the initial settings.



3



Load Limit Guide

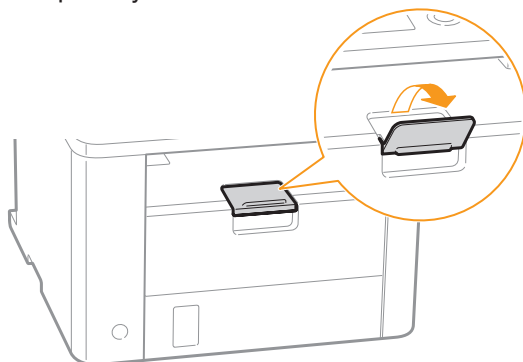
Push until the edge of the paper stack meets the back of the paper cassette.

### Check!

Make sure that the paper stack does not exceed the load limit guide.

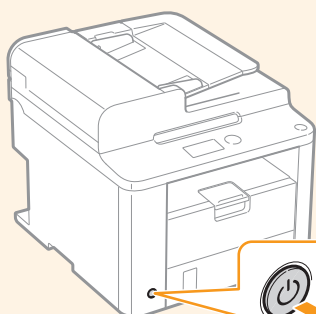
### Use the paper stopper when printing.

Lift the paper stopper to prevent the paper from falling out of the output tray.



# Connecting the Power Cord

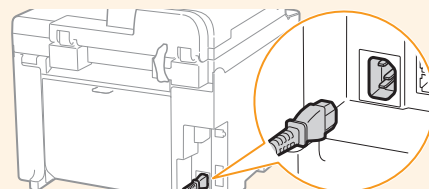
1



Make sure that the machine is turned OFF.

**Do not connect the USB cable.**  
Connect the cable when installing the software.

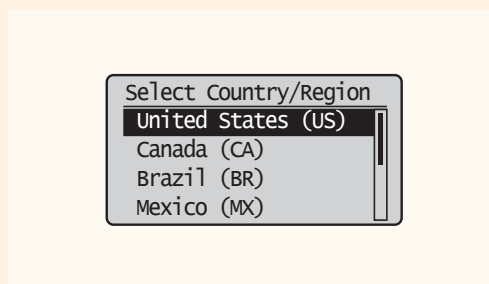
2



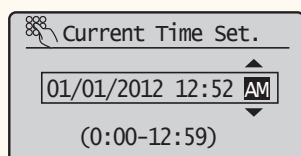
4 Press [▲] or [▼] to highlight a language, and then press [OK].



5 Press [▲] or [▼] to highlight a region, and then press [OK].

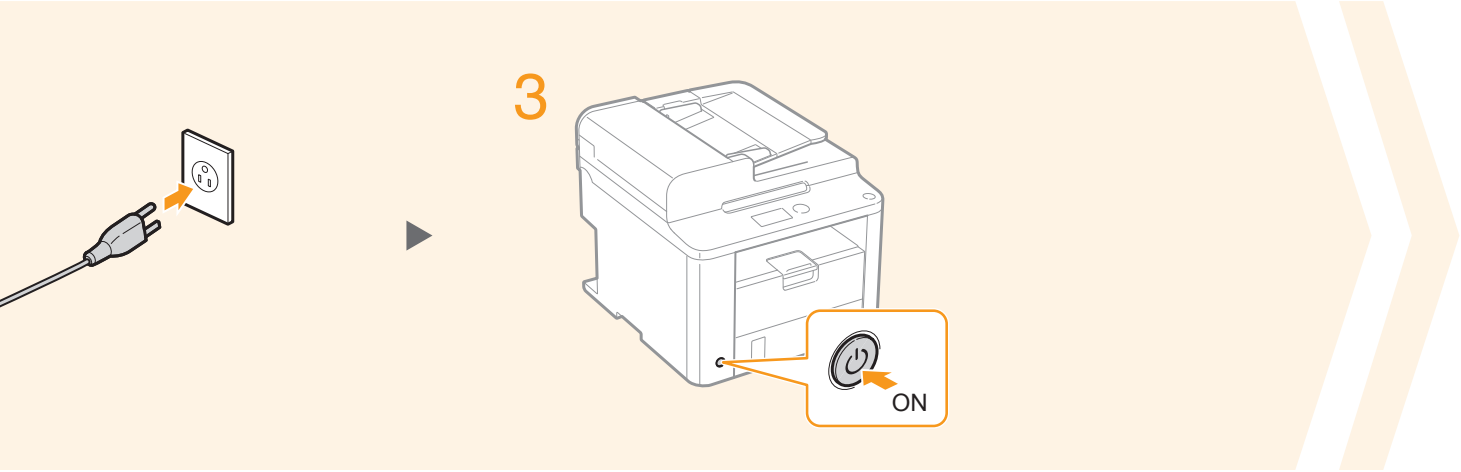


7 Enter the date and time, and then press [OK].



- Press [◀] or [▶] to move the cursor to the left and right.
- Press [▲] or [▼] to change the numeric value, or AM/PM.

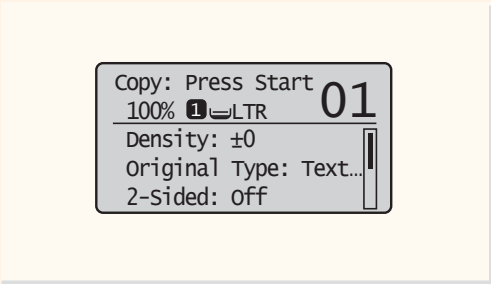
※ The factory default settings for time display is set as 12-Hour.



6 Press [OK].



8 Configuration is finished.



# Connecting to the Computer

1

USB Connection

Install the software. Windows



Install the MF Drivers and the MF Toolbox. Make sure that the machine is turned ON, and log on to Windows as a user with administrative privileges. Shut down all applications that are running. See the e-Manual for details about installation.

Do not connect the USB cable yet.

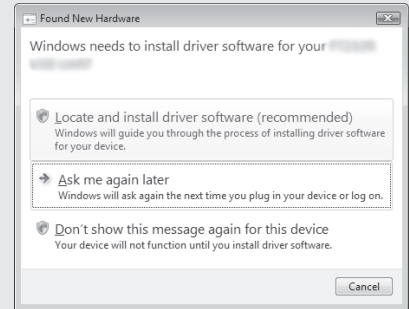
Connect the USB cable after installing the MF Drivers and the MF Toolbox.

If you already connected the USB cable:

Windows 7: ① Disconnect the USB cable from the computer, ② and then proceed to step ①.

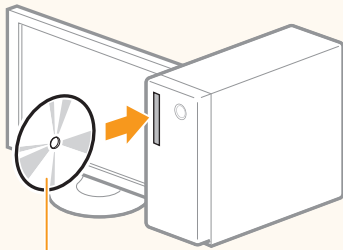
Windows Vista/XP: ① If the dialog box on the right appears, disconnect the USB cable from the computer\*, ② click [Cancel], ③ and then proceed to step ①.

\* If the USB cable is disconnected and the dialog box disappears, proceed to step ①.



For Windows Vista/XP

1



User Software CD-ROM

2



- Printer and scanner drivers and MF Toolbox will be installed.
- Select [Custom Installation] to install Presto! PageManager and the e-Manual.

If the screen is not correctly displayed:

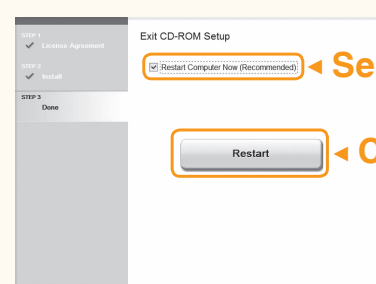
- Windows XP  
[Start] Menu → [Run] → enter [D:\MInst.exe\*]  
→ [OK]

- Windows Vista/7  
[Start] Menu → [Search programs and files] (or [Start Search]) → enter [D:\MInst.exe\*] → press the [Enter] key

\* The CD-ROM drive name is indicated as "D:" in this manual.

Follow the instructions on the screen to continue.

3



- Remove the CD-ROM, if necessary.

Proceed to P.13

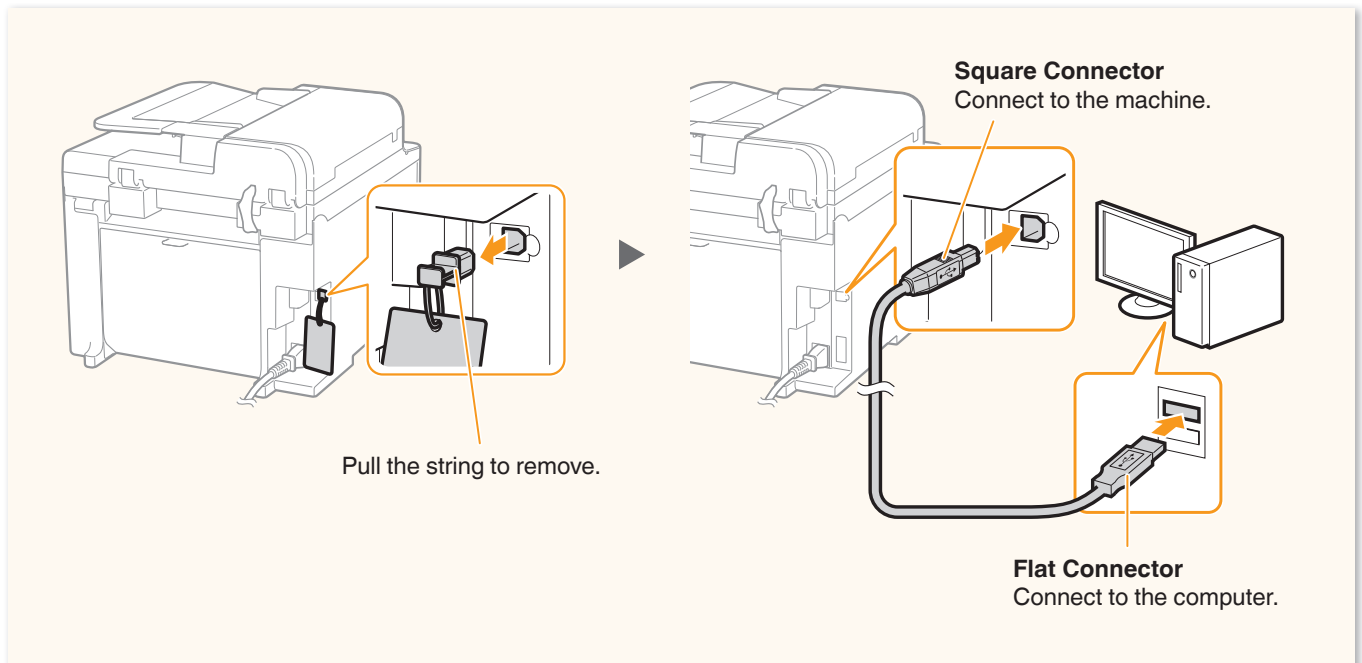
## 2

## USB Connection

## Connect the USB cable. Windows



After installing the software, such as MF Driver, connect the USB cable. Make sure the software is installed first.



Computer connection via the USB is now complete.

# Connecting to the Computer

# 1

USB Connection

Install the software. **Macintosh**



Install the MF drivers for Macintosh. It requires Mac OS X 10.5.8 version or later. The installation screen varies depending on the version of Mac OS X.

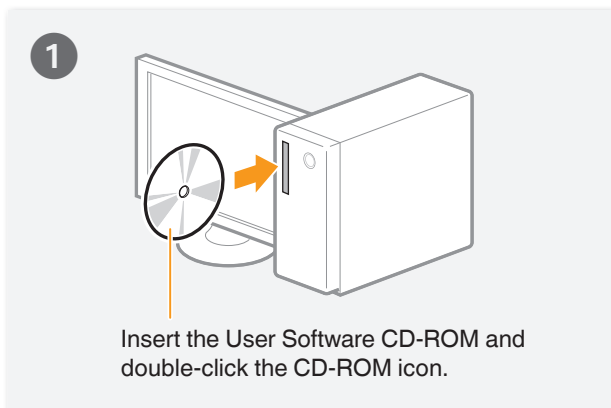
This operation is for Macintosh. If using Windows, proceed to P.12

Do not connect the USB cable yet.

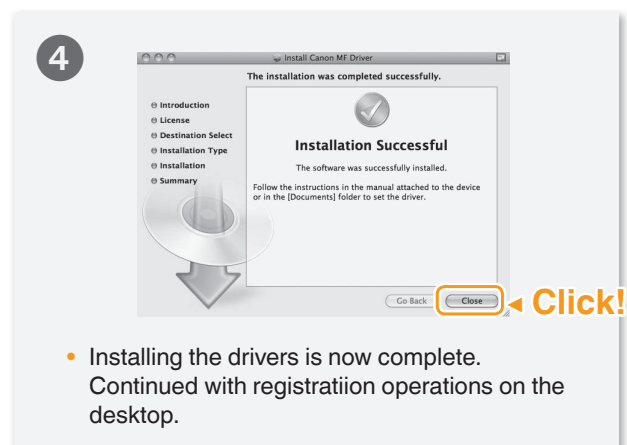
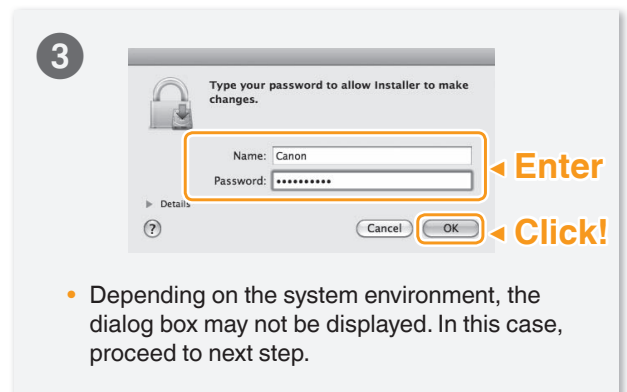
Connect the USB cable after installing the MF Drivers and the MF Toolbox.

If you already connected the USB cable:

① Disconnect the USB cable from the computer, ② and then proceed to step ①.



Follow the instructions on the screen to continue.

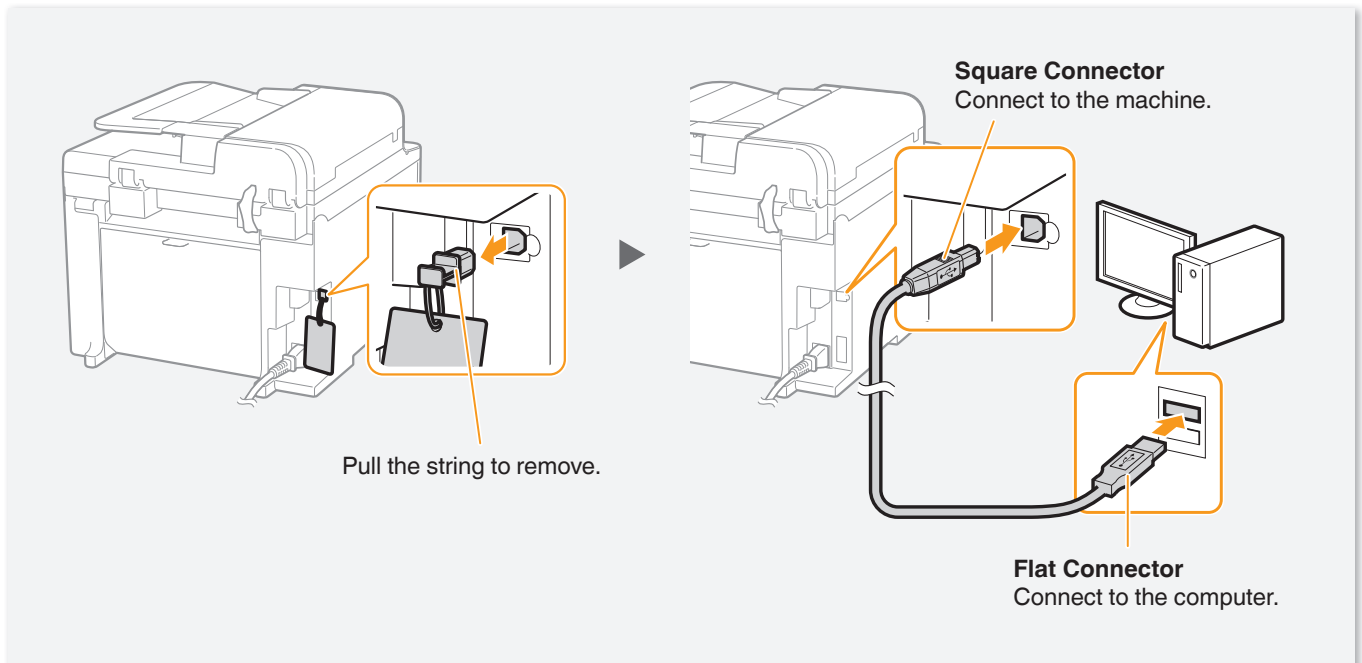


## 2

## USB Connection

Connect the USB cable. **Macintosh**

After installing the software, such as MF Driver, connect the USB cable. Make sure the software is installed first.



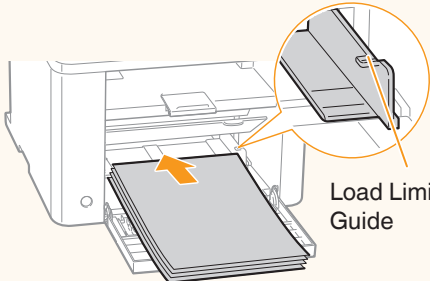
Computer connection via the USB is now complete.

# Appendix

## Loading Paper Other than Letter Size

To load paper other than Letter size, such as Legal, see “Loading Paper” (P.8) and the following procedure after finishing the initial settings.

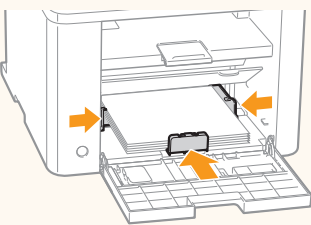
**1**



Load Limit Guide

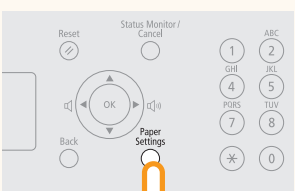
- Load the paper into the paper cassette.
- Make sure that the paper stack does not exceed the load limit guides.

**2**



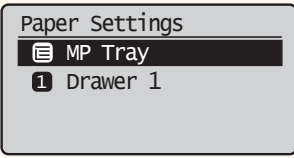
- Adjust the paper guides tightly to the width and length of the paper.

**3**



Reset Status Monitor / Cancel  
OK  
Back  
Paper Settings

**4**

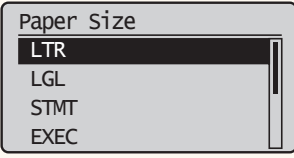


Paper Settings  
MP Tray  
Drawer 1

- Press [▲] or [▼] to highlight <MP Tray> or <Drawer 1>, and then press [OK].



**5**

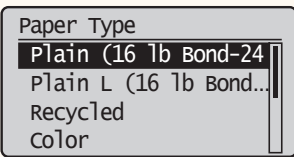


Paper Size  
LTR  
LGL  
STMT  
EXEC

- Press [▲] or [▼] to highlight a paper size, and then press [OK].



**6**



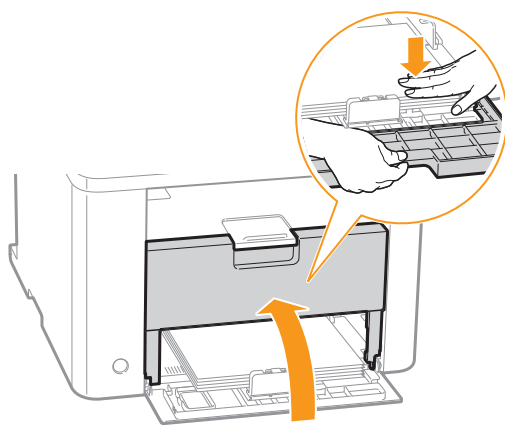
Paper Type  
Plain (16 lb Bond-24  
Plain L (16 lb Bond...  
Recycled  
color

- Press [▲] or [▼] to highlight a paper type, and then press [OK].



### Loading Paper that Is Longer than the Length of the Paper Cassette

Push the lower front cover and lift the front cover gently.



### Loading Envelopes or Paper with a Letterhead

➤ “Loading Envelopes or Paper with a Letterhead” in the Basic Operation Guide

## Using the e-Manual

The e-Manual is an electronic manual document that is displayed on the computer. All features of the machine are categorized by subject, and you can quickly view the information you need by using its search function. Use the e-Manual as a reference.

Click to refer to the contents, glossary, and how to use the e-Manual.

Click to view precautions when using Macintosh.

Enter a keyword that you want to search to quickly find the information.

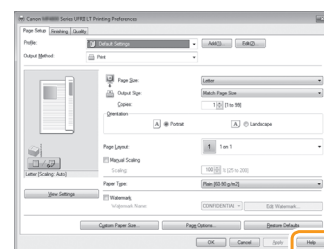
Click a button to access the information that you want.

Click when performing troubleshooting or maintenance of the machine.

## Using the Online Help

Information, such as driver software information, is included in the online help. When using the driver software, you can immediately view the description of the features and the contents of the settings.

- 1 Select [File] → [Print] from the menu bar of an application.
- 2 Select the printer in [Select Printer] or [Name] in the [Print] dialog box.
- 3 Click [Preferences] or [Properties].
- 4 Click [Help].



## Windows

### Installing in a Windows Environment

- 1 Insert the User Software CD-ROM in your computer.
- 2 Click [Custom Installation]\*.
- 3 Select only the [Manuals] check box.
- 4 Click [Install].
- 5 Click [Yes].
- 6 Click [Next].
- 7 Click [Exit] to finish the installation.

\* If the CD-ROM setup screen does not appear:

- Windows XP  
[Start] Menu → [Run] → enter [D:\MInst.exe\*\*] → [OK]
- Windows Vista/7  
[Start] Menu → [Search programs and files] (or [Start Search]) → enter [D:\MInst.exe\*\*] → press the [ENTER] key

\*\* The CD-ROM drive name is indicated as "D:" in this manual.


#### Displaying the e-Manual



e-Manual

Double-click the shortcut icon [D560\_D530 e-Manual] on the desktop.

### Displaying the e-Manual from the CD-ROM

Insert the User Software CD-ROM in your computer, click [Display Manuals], and then click  for [e-Manual].

※ Depending on the operating system, a message will be displayed for security protection to display the content.

## Macintosh

### Installing in a Macintosh Environment

- 1 Insert the User Software CD-ROM in your computer.
- 2 Open the [Documents] folder.
- 3 Drag and drop the [MF Guide] folder into a location where you want to save it.
- 4 When displaying the installed e-Manual, double-click [index.html] in the saved [MF Guide] folder.

#### Displaying the e-Manual from the CD-ROM

Double-click [index.html] in the saved [MF Guide] folder.

### For Details About the Print and Scan Functions

- Canon MF Printer Driver Installation Guide  
User Software CD-ROM → [Documents] → [Print] → [Guide] → [index.html]
- Canon Scanner Driver Guide  
User Software CD-ROM → [Documents] → [Scan] → [Guide] → [index.html]

# Memo



# Memo

---

**Disclaimers**

The information in this document is subject to change without notice. CANON INC. MAKES NO WARRANTY OF ANY KIND WITH REGARD TO THIS MATERIAL, EITHER EXPRESS OR IMPLIED, EXCEPT AS PROVIDED HEREIN, INCLUDING WITHOUT LIMITATION, THEREOF, WARRANTIES AS TO MARKETABILITY, MERCHANTABILITY, FITNESS FOR A PARTICULAR PURPOSE OF USE OR NON-INFRINGEMENT. CANON INC. SHALL NOT BE LIABLE FOR ANY DIRECT, INCIDENTAL, OR CONSEQUENTIAL DAMAGES OF ANY NATURE, OR LOSSES OR EXPENSES RESULTING FROM THE USE OF THIS MATERIAL.

**Trademarks**

Canon, the Canon logo, and imageCLASS are registered trademarks of Canon Inc. in the United States and may also be trademarks or registered trademarks in other countries.

Apple, Mac OS, and Macintosh are trademarks or registered trademarks of Apple Inc. in the U.S. and/or other countries. Microsoft, Windows and Windows Vista are either registered trademarks or trademarks of Microsoft Corporation in the United States and/or other countries. All other product and brand names are registered trademarks, trademarks or service marks of their respective owners.

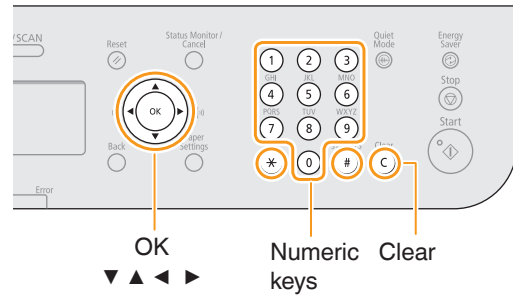
**Copyright**

© CANON INC. 2012 All Rights Reserved

No part of this publication may be reproduced, transmitted, transcribed, stored in a retrieval system, or translated into any language or computer language in any form or by any means, electronic, mechanical, magnetic, optical, chemical, manual, or otherwise, without the prior written permission of Canon Inc.

# Entering Text

During the setup or initial configuration, you may need to enter letters and numbers. Use [▲], [▼], [◀], [▶], numeric keys, and [OK] to enter text.



Numeric Key	Entry Mode (See below on how to change the Entry mode)		
	<A>	<a>	<12>
1	@._-/_		1
2	ABC	abc	2
3	DEF	def	3
4	GHI	ghi	4
5	JKL	jkl	5
6	MNO	mno	6
7	PQRS	pqrs	7
8	TUV	tuv	8
9	WXYZ	wxyz	9
0	(Not available)		0
#	- . * # ! " , ; : ^ ` _ = /   ' ? \$ @ % & + \ ( ) [ ] { } < >		(Not available)

## Changing the Entry Mode

The machine supports three entry modes: <A> for uppercase, <a> for lowercase, and <12> for numbers. The default setting is <A>. Press [▼] to highlight <Entry Mode: A>, and then press [\*] (\*) to switch between the entry modes.

## Moving the Cursor

Press [◀] or [▶] to move the cursor.

## Entering a Space

Move the cursor to the end of the text, and then press [▶].

## Deleting Characters

Press [C] (Clear) to delete characters.  
Press and hold to delete all characters.

## Contacting the Service Center

---

When you have a problem with your machine, refer to "Troubleshooting" in the Basic Operation Guide or the e-Manual first. If you cannot solve the problem after referring the manuals, contact the Canon Authorized Service Facilities or the Canon Customer Care Center.

Canon Customer Care Center

# 1-800-OK-CANON

(U.S.A./Canada)

**U.S.A**

Monday through Friday

From 8:00 A.M. to 8:00 P.M. EST

**Canada**

Monday through Friday

From 9:00 A.M. to 8:00 P.M. EST

<http://www.canon.ca/>

# Canon

---

**CANON INC.**

30-2, Shimomaruko 3-chome, Ohta-ku, Tokyo 146-8501, Japan

**CANON MARKETING JAPAN INC.**

16-6, Konan 2-chome, Minato-ku, Tokyo 108-8011, Japan

**CANON U.S.A., INC.**

One Canon Plaza, Lake Success, NY 11042, U.S.A.

**CANON EUROPE N.V.**

Bovenkerkerweg, 59-61, 1185 XB Amstelveen, The Netherlands

**CANON CHINA CO. LTD.**

15F Jinbao Building No.89, Jinbao Street, Dongcheng District, Beijing 100005, PRC

**CANON SINGAPORE PTE LTD**

1 HarbourFront Avenue, #04-01 Keppel Bay Tower, Singapore 098632

**CANON AUSTRALIA PTY LTD**

1 Thomas Holt Drive, North Ryde, Sydney NSW 2113, Australia

**CANON GLOBAL WORLDWIDE SITES**

<http://www.canon.com/>



FT6-0301 (000)

XXXXXXXXXX

© CANON INC. 2012

PRINTED IN KOREA



F T 6 - 0 3 0 1 - 0 0 0