



MX51x de/dhe

Lexmark MX510 and MX511 Series

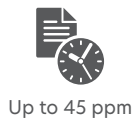
Flexible. Fast. Feature-Rich.

The Lexmark MX510 Series MFP saves time with fast processor, print, copy and scan speeds, plus delivers productivity solutions that can propel your business forwards. Want more solutions? Choose the MX511de featuring fax, or the MX511dhe with fax and hard disk drive.

Get more done. Faster.

Now you can achieve much more in less time. Smoother workflows and faster speeds are just some of the great features that will help your business be more productive.

Faster processing: Improve your print, scan and copy speeds by taking advantage of up to 2.5 GB of upgradable memory, an 800 MHz dual-core processor and Gigabit Ethernet.



Up to 45 ppm



4.3-inch Color Touch Screen



Solutions



Security



Reliable performance: Easily print up to 12,000 pages per month, plus enjoy fewer maintenance hassles, thanks to our state-of-the-art paper handling.

Keep jobs moving: With a maximum input capacity of up to 2,000 sheets and an ultra high yield toner cartridge, you won't have to add paper or change cartridges as often.

Get work done quickly: Enjoy print speeds up to 45 pages per minute, plus print or copy your first page in as little as 6.5 seconds.

Professional results. No training required.

Look sharp from the start. Our multifunction printer with its easy-to-use touch screen and impressive speed lets you power through any print job quickly.

Smart and easy to use: A 4.3 inch color touch screen provides access to pre-installed productivity solutions and lets you operate the system through smart and intuitive navigation.

Front USB port: Print without a PC using our convenient USB port that lets you walk up, preview and print PDFs and many other file formats.



Print on a wide range of media: With built-in two-sided printing and the ability to print on diverse materials, you can do more for your business and use less paper.

Innovative toner that optimizes

performance: Get greater system performance with Lexmark's Unison™ Toner, which delivers consistent image quality from first print to last.

Solutions-capable for a smarter workflow.

Our solutions-capable, eco-friendly systems can simplify processes and help you quickly respond to changing business needs giving you a competitive edge.

Work smarter not harder: If you can use a mobile phone application, you can use our pre-loaded solutions. Touch the screen and access shortcuts to scan, print or send faxes, emails and other business-critical documents fast.

Save resources and the planet: With pre-installed solutions like Eco-copy, as well as Forms and Favorites, you can print only the forms you need, saving toner, paper and the environment.

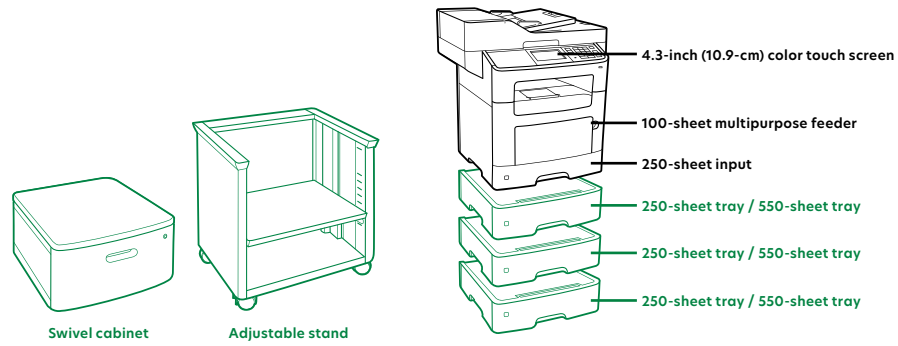
Enjoy enterprise-level security: Now you can authenticate, authorize and audit employee usage, plus protect sensitive data using standard network security protocols.

Print Anytime and Anywhere*: With this system, you can print from desktops as well as mobile devices that can run applications.

* For more information on Lexmark Mobile Solutions see: lexmark.com/mobile

MX510 and MX511 Series printer features

- Standard
- Optional



Product specifications	Lexmark MX510de	Lexmark MX511de	Lexmark MX511dhe
Printing			
Display	Lexmark e-Task 4.3-inch (10.9 cm) color touch screen		
Print Speed: Up to ⁶	Black: 45 ppm		
Time to First Page: As fast as	Black: 6.5 seconds		
Print Resolution	Black: 1200 Image Quality, 1200 x 1200 dpi, 2400 Image Quality, 600 x 600 dpi		
Memory / Processor	Standard: 512 MB / Maximum: 2560 MB / Dual Core, 0.8 MHz	Standard: 512 MB / Maximum: 2560 MB / Dual Core, 800 MHz	Standard: 512 MB / Maximum: 2560 MB / Dual Core, 0.8 MHz
Hard Disk	Option available		
Recommended Monthly Page Volume ²	2000 - 12000 pages		
Maximum Monthly Duty Cycle: Up to ³	120000 pages per month		
Copying			
Copy Speed: Up to ⁶	Black: 45 cpm		
Time to First Copy: As fast as	Black: 6.5 seconds		
Scanning			
Scanner Type / ADF Scan	Flatbed scanner with ADF / RADF (Reversing Duplex)		
A4/Ltr Duplex Scan Speed: Up to	Black: 18 / 19 sides per minute / Color: 8 / 9 sides per minute		
A4/Ltr Simplex Scan Speed: Up to	Black: 41 / 43 sides per minute / Color: 19 / 20 sides per minute		
ADF Paper Input Capacity: Up to	50 pages 20 lb or 75 gsm bond		
Faxing			
Modem Speed	N/A Kbps	ITU T.30, V.34 Half-Duplex, 33.6 Kbps	
Supplies⁷			
Laser Cartridge Yields (up to) ¹	2,500-page Cartridge, 10,000-page High Yield Cartridge, 20,000-page Extra High Yield Cartridge		
Imaging Unit Estimated Yield: Up to	60000 pages, based on 3 average letter/A4-size pages per print job and ~ 5% coverage		
Cartridge(s) Shipping with Product ¹	5,000-page Starter Return Program Toner Cartridge		
Paper Handling			
Included Paper Handling	250-Sheet Input, 100-Sheet Multipurpose Feeder, 150-Sheet Output Bin, Integrated Duplex		
Optional Paper Handling	250-Sheet Tray, 550-Sheet Tray, 550-Sheet Lockable Tray		
Paper Input Capacity: Up to	Standard: 350 pages 20 lb or 75 gsm bond / Maximum: 2000 pages 20 lb or 75 gsm bond		
Paper Output Capacity: Up to	Standard: 150 pages 20 lb or 75 gsm bond / Maximum: 150 pages 20 lb or 75 gsm bond		
Media Types Supported	Card Stock, Envelopes, Paper Labels, Plain Paper, Transparencies, Refer to the Card Stock & Label Guide.		
Media Sizes Supported	10 Envelope, 7 3/4 Envelope, 9 Envelope, A4, A5, DL Envelope, Executive, Folio, JIS-B5, Legal, Letter, Statement, Universal, Oficio, A6		
General Information⁴			
Standard Ports	One Internal Card Slot, USB 2.0 Specification Hi-Speed Certified (Type B), Gigabit Ethernet (10/100/1000), Front USB 2.0 Specification Hi-Speed Certified port (Type A), Rear USB 2.0 Specification Hi-Speed Certified Port (Type A)		
Optional Network Ports / Optional Local Ports	Internal MarkNet N8350 802.11b/g/n Wireless / Internal RS-232C serial, Internal 1284-B Bidirectional Parallel		
Noise Level: Operating	Print: 56 dBA / Copy: 56 dBA / Scan: 55 dBA		
Specified Operating Environment	Temperature: 16 to 32°C (60 to 90°F), Humidity: 8 to 80% Relative Humidity, Altitude: 0 - 2896 Meters (9,500 Feet)		
Limited Warranty - See Statement of Limited Warranty	1-Year Onsite Service, Next Business Day		
Size (in. - H x W x D) / Weight (lb.)	19.8 x 19.3 x 17.8 in. / 48 lb.		

¹Average standard page yield value declared in accordance with ISO/IEC 19752. ²"Recommended Monthly Page Volume" is a range of pages that helps customers evaluate Lexmark's product offerings based on the average number of pages customers plan to print on the device each month. Lexmark recommends that the number of pages per month be within the stated range for optimum device performance, based on factors including: supplies replacement intervals, paper loading intervals, speed, and typical customer usage. ³"Maximum Monthly Duty Cycle" is defined as the maximum number of pages a device could deliver in a month using a multishift operation. This metric provides a comparison of robustness in relation to other Lexmark printers and MFPs. ⁴Printers are sold subject to certain license/agreement conditions. See www.lexmark.com/printerlicense for details. ⁵Actual Yield may vary based on other factors such as device speed, paper size and feed orientation, toner coverage, tray source, percentage of black-only printing and average print job complexity. ⁶Print and copy speeds measured in accordance with ISO/IEC 24734 and ISO/IEC 24735 respectively (ESAT). For more information see: www.lexmark.com/ISOspeeds. ⁷Product functions only with replacement cartridges designed for use in a specific geographical region. See www.lexmark.com/regions for more details.