

Lexmark T630



- High performance workgroup printer
- Output options enhance productivity
- Value Edition maximizes investment

LEXMARKTM

Lexmark T630

- High performance workgroup printer
- Broadest range of paper-handling options in its class
- Multifunction options add scan, copy, e-mail and fax
- 21,000-page print cartridge minimizes interventions



Lexmark T630 VE, T630, T630n VE, T630n, T630dn

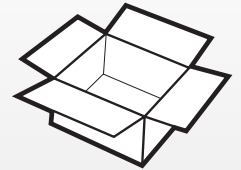
Product Specifications

Part Number	US/Canada: 10G2100 (T630 VE), 10G0100 (T630), 10G2200 (T630n VE), 10G0200 (T630n), 10G1200 (T630dn)
Product Class	Small workgroup laser printer
Speed	Up to 35 ppm
Resolution	1200 x 1200 dpi, 1200 image quality, 600 x 600 dpi, 300 x 300 dpi
Time to First Page	< 8.5 seconds
Processor	300 MHz
Memory (std./max.)	T630 VE, T630: 32MB/288MB; T630n VE, T630n, T630dn: 64MB/320MB
Connectivity	
Standard	T630 VE, T630: Parallel, USB, 1 internal solutions port (ISP) T630n VE, T630n, T630dn: Ethernet, USB, 1 ISP
Optional	T630 VE, T630: Ethernet, Token-Ring, Serial, Coax/Twinax, Wireless T630n VE, T630n, T630dn: Token-Ring, Parallel, Serial, Coax/Twinax, Wireless
Network Mgmt. Utility	MarkVision Professional
Operating Systems	Windows, Linux, UNIX, Mac, NetWare and OS/400 For a complete list, visit www.lexmark.com.
Printer Languages	PostScript 3 and PCL 6 emulations, PPDS Migration Tool and direct PDF v1.2/v1.3 printing
Fonts	PCL: 89 scalable, 2 bitmapped, Includes: OCR-A, OCR-B, Code 3 of 9 bar codes; PostScript: 158 scalable; PPDS: 39 scalable and 5 bitmapped
Multifunction Options	Lexmark 3100 MFP option, Lexmark 3200 MFP option or Lexmark X4500 MFP option ¹
Size (WxDxH)	T630 VE, T630, T630n VE, T630n: 16.6 in. x 19.6 in. x 13.6 in. (421 mm x 498 mm x 345 mm) T630dn: 16.6 in. x 25.1 in. x 15.6 in. (421 mm x 638 mm x 396 mm)
Weight	T630 VE, T630, T630n VE, T630n: 38 lb. (17 kg); T630dn: 49.1 lb. (22.3 kg)
Acoustics	52 dBA printing; 31 dBA idle
Duty Cycle	Up to 175,000 pages per month
Warranty	1-year LexExpress SM

Media Specifications

Paper Capacity (sheets)	
Standard Input	350
Maximum Input	3,850
Standard Output	250
Maximum Output	2,750
Paper Sources	
Standard Input	2
Maximum Input	7
Standard Output	1
Maximum Output	4
Media Types	Plain paper, bond, envelopes, card stock, transparencies, paper labels ³ , dual-web labels ³ , polyester labels ³ , vinyl labels ³
Media Sizes	Letter, legal, A5, JIS B5, statement, executive, universal, (2.75 x 5 in. to 8.5 x 14 in.) folio, and envelopes (7 ³ / ₄ , 9, 10, DL, C5, B5)
Media Weights	Plain paper: 16 to 47 lb. (60 to 176 g/m ²); Card stock: up to 110 lb. Index (199 g/m ²)

In the Box



Lexmark T630 VE

- Lexmark T630 VE Printer
- 5,000-page Return Program Print Cartridge
- Power Cord
- Publications CD
- Drivers, MarkVision and Utilities CD

Lexmark T630

- Lexmark T630 VE
- EXCEPT**
- 21,000-page Return Program Print Cartridge

Lexmark T630n VE

- Lexmark T630 VE
- PLUS**
- Additional 32MB memory (64MB total)
- Ethernet (instead of parallel)

Lexmark T630n

- Lexmark T630n VE
- EXCEPT**
- 21,000-page Return Program Print Cartridge

Lexmark T630dn

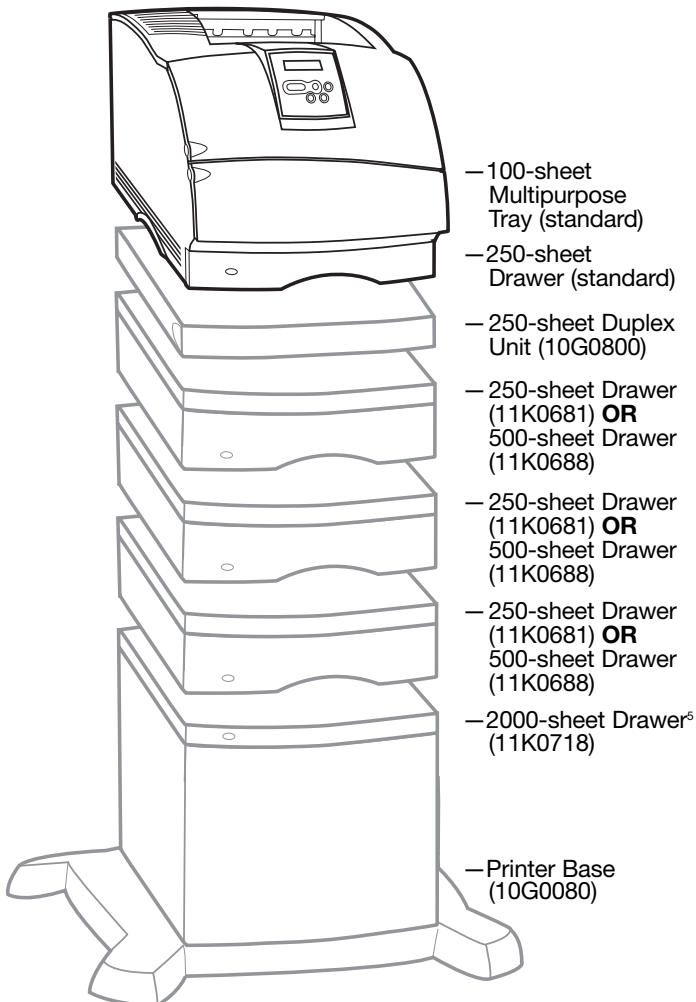
- Lexmark T630n
- PLUS**
- Automatic two-sided printing

Lexmark T630

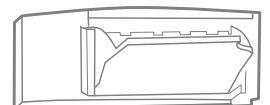
Supplies & Accessories

Supplies²	21,000-page High Yield Return Program Print Cartridge	12A7462
	21,000-page High Yield Print Cartridge	12A7362
	21,000-page High Yield Return Program Print Cartridge for Labels ³	12A7468
	5,000-page Return Program Print Cartridge	12A7460
	5,000-page Print Cartridge	12A7360
	300,000-page Maintenance Kit	56P1409
	Staple Cartridges	11K3188
Memory/Flash Options	8MB SDRAM	16H0055
	16MB SDRAM	16H0056
	32MB SDRAM	16H0057
	64MB SDRAM	16H0058
	128MB SDRAM	16H0059
	16MB Flash Card ⁴	11K4616
	32MB Flash Card ⁴	11K4632
	20+GB Hard Disk with Adapter	11K4603
Furniture	Low Profile Printer Stand	16C0379
	Printer Stand with Cabinet	16C0369
	Printer Stand	16C0389
	Scanner Stand with Cabinet	16C0399
	Scanner Shelf	16A0503
	Operator Panel Cover	10G1021
	Printer Base	10G0080

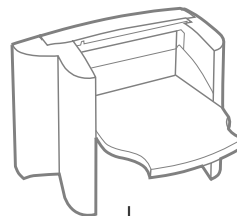
Paper Handling Options³



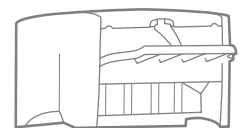
Envelope Feeder
(11K0720)



Output Expander (11K0723)



High Capacity Output
Stacker (11K1440)



StapleSmart Finisher
(11K2800)

Options not pictured:

- 250-sheet Tray (11K1059)
- 500-sheet Tray (11K1060)
- 250-sheet Universally Adjustable Drawer (11K1878)
- 250-sheet Universally Adjustable Tray (11K1574)
- 400-sheet Universally Adjustable Drawer (11K1942)
- 400-sheet Universally Adjustable Tray (11K1941)

Additional Information

¹ Lexmark X4500 MFP not available for T630 VE or T630n VE models

² Yield is based on approximately 5% print coverage

³ Printing label applications requires a special fuser cleaner included in label cartridge (12A7468)

⁴ One flash memory slot and one application slot available

⁵ Displays all available options for **base** model

Lexmark T630

Additional Accessories

Paper Handling Options	250-sheet Drawer	11K0681
	500-sheet Drawer	11K0688
	2000-sheet Drawer	11K0718
	250-sheet Tray	11K1059
	500-sheet Tray	11K1060
	250-sheet Duplex Unit	10G0800
	Envelope Feeder	11K0720
	StapleSmart Finisher	11K2800
	High Capacity Output Stacker	11K1440
	Output Expander	11K0723
Font Options	Korean Font Card	10G0743
	Simplified Chinese Font Card	10G0744
	Traditional Chinese Font Card	10G0745
	Japanese Font Card	10G0746
Optra Forms Solutions	Optra Forms Software	11N0040
	Optra Forms Director	11N0052
	Optra Forms Manager	11N0056
	Optra Forms 16MB Flash Card	10G0747
	Optra Forms 32MB Flash Card	10G0748
	Optra Forms 2-Key Security	43H5841
	Optra Forms 3-Key Security	43H5842
	Optra Forms 20+GB Hard Disk with Adapter	10G0749
Other Options	ImageQuick™ Card	10G0144
	Bar Code Card	10G0145
	Card for IPDS and SCS/TNe	10G0147
	PrintCrypton™ Card ¹	10G0149
	Card for PRESCRIBE ²	10G1747
Adapters	Parallel 1284-B Interface Card	11K4601
	RS-232C Serial Interface Card	11K4602
	External Serial Adapter	1368705
	Coax/Twinax Adapter for SCS	11K4120
	802.11g Wireless Print Adapter ¹	1010042
Cables	10-Foot Parallel Printer Cable	1329605
	2-Meter USB Printer Cable	12A2405
	50-Foot Serial Printer Cable	1038693
Multifunction Options	Lexmark 3100 MFP Option	20R0020
	Lexmark 3200 MFP Option	20R0080
	Lexmark 4500 MFP Option	16C0100

¹ Requires network connectivity

² Customer testing required to ensure compatibility

Lexmark, Lexmark with diamond design and Optra Forms are trademarks of Lexmark International, Inc., registered in the United States and/or other countries. LexExpress™ is a service mark of Lexmark International, Inc. Mac OS and the Mac logo are trademarks of Apple Computer, Inc., registered in the U.S. and other countries. PCL is a registered trademark of Hewlett-Packard Company. The USB-IF logos are trademarks of Universal Serial Bus Implementers Forum, Inc. All other trademarks are the property of their respective owners. © 2004. Lexmark International, Inc. All rights reserved.

71K6376



Printed on recycled paper.

